



DESIGN CHECK FOR CUSTOMIZED SELECTION

CHAIN TENSIONER TYPE „SPANN-BOX®“

i The following construction questionnaire enables you to easily transmit the information required for a design service to our application engineering department. In order to process your request, we kindly ask you to fill in the fields listed in this form. We only process the personal data you provide in order to perform the design service you have

commissioned. As a rule, we do not pass on your personal data to third parties. Further information on the processing of your personal data by MURTFELDT and on your data subject rights can be found at any time at:

YOUR CONTACT DETAILS

Name, First name

Company

Customer No

Zip Code, City

Street

Telephone

Email

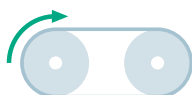
APPLICATION ENGINEERING TEAM

We will be happy to advise you on the calculation of chain tensioners – free of charge and without obligation.

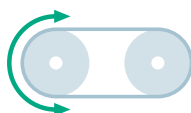
Please send the completed form to:

**Do you have any questions?
+49 (231) 20609 0**

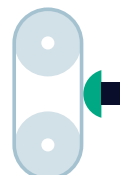
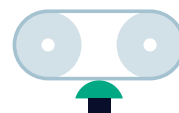
INFORMATION ABOUT YOUR APPLICATION



Direction of the chain



Installation scenario



CHAIN SPECIFICATIONS

simplex

duplex

triplex

Lubrication

Number of sprocket teeth

Z1

Z2

Shaft distance **a**

mm

Chain speed **v**

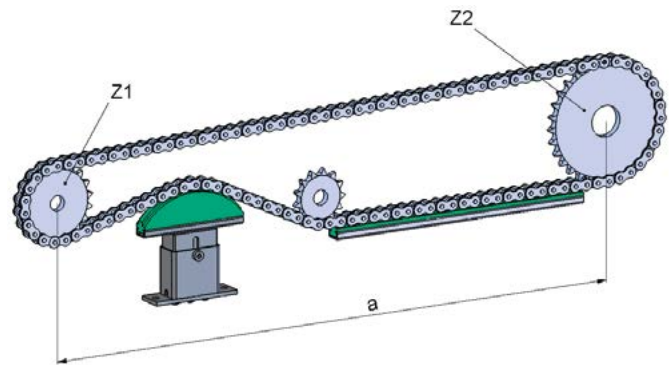
m/s

Temperature **min**

°C

Temperature **max**

°C



REMARKS